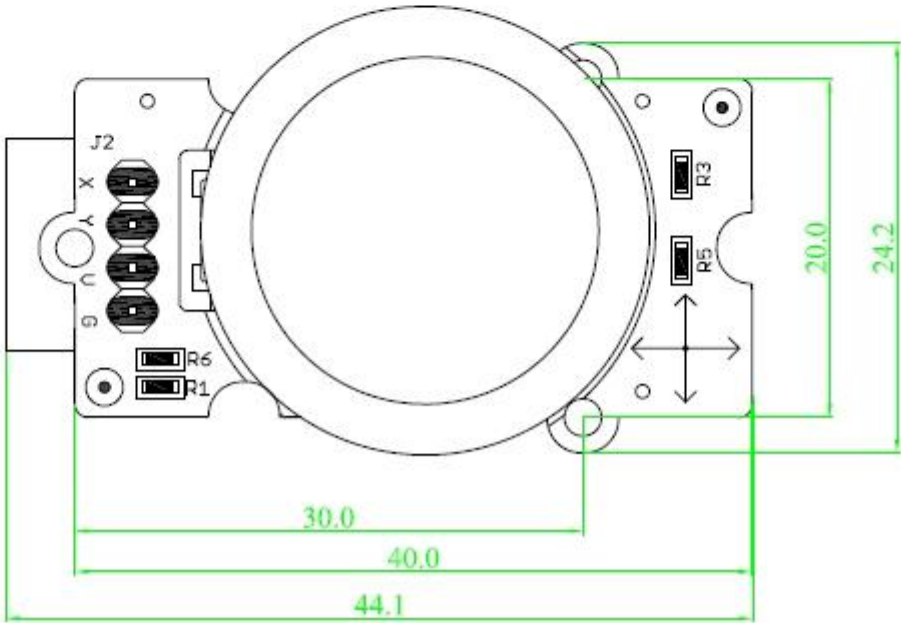
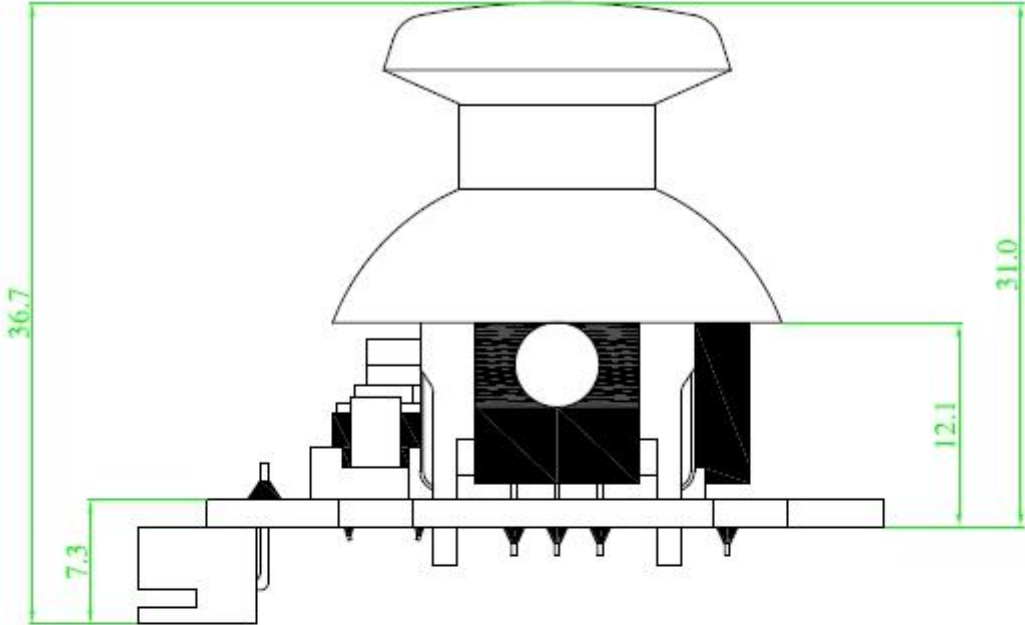


Linker Kit Joystick

**Features**

Dimensions: 44.1x24.2x36.7mm

**Dimension**



**Schematics**

- [Schematics](#)

## Application Ideas

test

```
/*
  Joystick AnalogReadSerial
  Reads an analog input of Joystick on pin 0 and pin 1, prints the result to
  the serial monitor
*/

void setup() {
  Serial.begin(9600);
}

void loop() {
  int sensorValue = analogRead(A0);
  int sensorValue2 = analogRead(A1);
  Serial.print("The X and Y coordinate is:");
  Serial.print(sensorValue, DEC);
  Serial.print(",");
  Serial.println(sensorValue2, DEC);
  Serial.println(" ");
  delay(200);
}
```

Weitere Informationen unter:

[http://linksprite.com/wiki/index.php5?title=Joystick\\_Sensor\\_Module](http://linksprite.com/wiki/index.php5?title=Joystick_Sensor_Module)

